

Сирены светодиодные многотональные WERMA 444

Технические характеристики



Архангельск (8182)63-90-72
Астана (7172)727-132
Астрахань (8512)99-46-04
Барнаул (3852)73-04-60
Белгород (4722)40-23-64
Брянск (4832)59-03-52
Владивосток (423)249-28-31
Волгоград (844)278-03-48
Вологда (8172)26-41-59
Воронеж (473)204-51-73
Екатеринбург (343)384-55-89
Иваново (4932)77-34-06

Ижевск (3412)26-03-58
Иркутск (395)279-98-46
Казань (843)206-01-48
Калининград (4012)72-03-81
Калуга (4842)92-23-67
Кемерово (3842)65-04-62
Киров (8332)68-02-04
Краснодар (861)203-40-90
Красноярск (391)204-63-61
Курск (4712)77-13-04
Липецк (4742)52-20-81
Россия (495)268-04-70

Магнитогорск (3519)55-03-13
Москва (495)268-04-70
Мурманск (8152)59-64-93
Набережные Челны (8552)20-53-41
Нижний Новгород (831)429-08-12
Новокузнецк (3843)20-46-81
Новосибирск (383)227-86-73
Омск (3812)21-46-40
Орел (4862)44-53-42
Оренбург (3532)37-68-04
Пенза (8412)22-31-16
Киргизия (996)312-96-26-47

Пермь (342)205-81-47
Ростов-на-Дону (863)308-18-15
Рязань (4912)46-61-64
Самара (846)206-03-16
Санкт-Петербург (812)309-46-40
Саратов (845)249-38-78
Севастополь (8692)22-31-93
Симферополь (3652)67-13-56
Смоленск (4812)29-41-54
Сочи (862)225-72-31
Ставрополь (8652)20-65-13
Казахстан (772)734-952-31

Сургут (3462)77-98-35
Тверь (4822)63-31-35
Томск (3822)98-41-53
Тула (4872)74-02-29
Тюмень (3452)66-21-18
Ульяновск (8422)24-23-59
Уфа (347)229-48-12
Хабаровск (4212)92-98-04
Челябинск (351)202-03-61
Череповец (8202)49-02-64
Ярославль (4852)69-52-93

Единый адрес для всех регионов: wme@nt-rt.ru | | www.werma.nt-rt.ru

Design Combination LED Multi-Tone Sirens

Your benefits

The Design Combination LED Multi-Tone Sirens provide safety and security in environments with heightened aesthetic design requirements. The innovative housing design makes for simple mounting in many diverse applications.

- Ideal signalling effect over great distances
- Multiple visual and audible escalation levels possible
- Many application options with up to 32 tones available
- Up to 3 tones controlled remotely for the escalation of signals
- Includes standardised tones (including those used in fire alarms)

Typical applications

Fault signalling

- In building service systems
- On machinery and equipment

Installation options

- Wall mounting
- Base mounting
- Ceiling mounting

Features

- Multi-voltage versions allow multiple applications with a single device
- Long life and energy-saving LEDs, either as a flashing light or EVS



Size comparison Design / Heavy Duty



Signalisation index

Multi-Tone Sounder	8
LED Flashing Light	6
LED EVS	8



444 LED Double Flash/Multi-Tone Sounder Combination



Base mounting



Wall mounting

① TECHNICAL SPECIFICATIONS/ORDER SPECIFICATIONS:

Dimensions (L x H x W):	109 mm x 112 mm x 150 mm		
Housing:	PC/ABS-Blend		
Lens:	PC, transparent		
Connection:	24 V: Screw terminal 0.5-1.5 mm ² 115/230 V: CAGE CLAMP®		
Cable entry:	Membrane for cable diameter max. 13 mm		
Life duration:	Up to 50,000 hrs (LED Double Flash)		
Flash frequency:	c. 1 Hz		
Fixing:	Wall, base and ceiling mounting		
Voltage:	24 V AC/DC	115 V AC	230 V AC
Current consumption Optical:	60 mA	30 mA	30 mA
Current consumption Audible:	200 mA	55 mA	30 mA
red	444 100 75	444 100 67	444 100 68
yellow	444 300 75	444 300 67	444 300 68

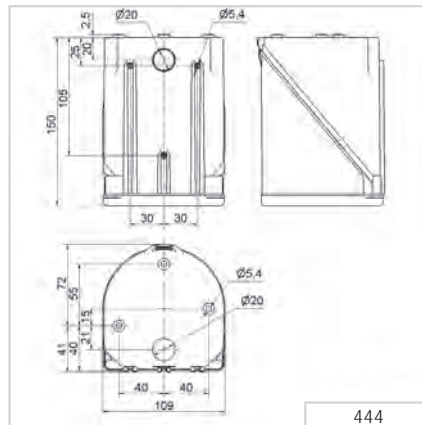
✂ ACCESSORIES:

Cable gland M20 x 1.5 mm (for cable strain relief)	975 444 01
Protection rating IP 65 is guaranteed even without cable gland	

🎵 TONE TYPES AND FREQUENCIES:

Selectable via DIP switch, see tone table on page 230, 3 tones can be externally triggered

← TECHNICAL DIAGRAMS:



Signalisation index	
Multi-Tone Sounder	8
LED Flashing Light	6

24 V 330 g	115 V / 230 V 470 g	IP 65	+50°C -30°C	(A) 110 dB	32	24 V PLC
---------------	------------------------	-------	----------------	---------------	----	-------------

444 LED EVS / Multi-Tone Sounder Combination



Base mounting



The „EVS“ light effect ensures a maximum attention-grabbing effect

① TECHNICAL SPECIFICATIONS/ORDER SPECIFICATIONS:

Dimensions (L x H x W):	109 mm x 112 mm x 150 mm		
Housing:	PC/ABS-Blend		
Lens:	PC, transparent		
Connection:	24 V: Screw terminal 0.5-1.5 mm ² 115/230 V: CAGE CLAMP®		
Cable entry:	Membrane for cable diameter max. 13 mm		
Fixing:	Wall, base and ceiling mounting		
Life duration:	Up to 50,000 hrs (LED EVS)		
Voltage:	24 V AC/DC	115 V AC	230 V AC
Current consumption Optical:	60 mA	30 mA	30 mA
Current consumption Audible:	220 mA	55 mA	30 mA
red	444 110 75	444 110 67	444 110 68
yellow	444 310 75	444 310 67	444 310 68

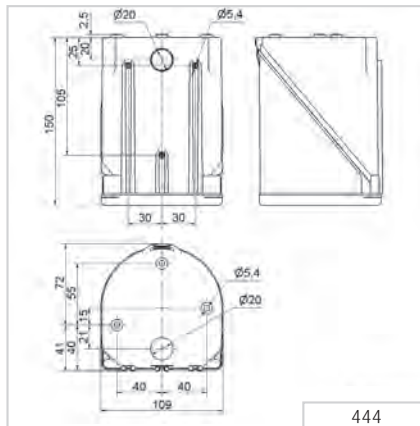
✂ ACCESSORIES:

Cable gland M20 x 1.5 mm (for cable strain relief)	975 444 01
Protection rating IP 65 is guaranteed even without cable gland	

🎵 TONE TYPES AND FREQUENCIES:

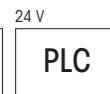
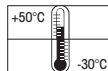
Selectable via DIP switch, see tone table on page 230, 3 tones can be externally triggered

↔ TECHNICAL DIAGRAMS:



Signalisation index

Multi-Tone Sounder	8
LED EVS Light	8



444 Combination

The 444 Combinations offer a large choice of internationally recognised signal tones for the widest spectrum of applications. 3 tones can be triggered externally.

STONE TYPES AND FREQUENCIES:

Tone 1	Tone type	Frequency (Hz)	Description	Use	Tone 2	Sound output (dbA)
1	continuous	200		BS 5839-1:2002	440 Hz cont.	97
2	rising	800 & 970	7 Hz		14	102
3	rising	800 & 970	1 Hz		14	103
4	continuous	2850			14	104
5	rising	2400 - 2850	7 Hz		4	109
6	rising	2400 - 2850	1 Hz		4	110
7	rising	500 - 1200	3 s, then 0.5 s OFF (then repeat)		14	106
8	falling	1200 - 500	1 Hz	DIN 33404-3	14	104
9	alternating	2400 & 2850	2 Hz		4	111
10	pulse	970	0.5 Hz (1 s On/1 s Off)	BS 5839 Part 1 1988	14	101
11	alternating	800 & 970	1 Hz	BS 5839 Part 1 1988	14	105
12	pulse	2850	0.5 Hz		4	104
13	pulse	970		0,25 s On/1 s Off	14	98
14	continuous	970		BS 5839-1:2002 PFEER - Toxic gas	10	102
15	alternating	554 & 440		France NFS	14	101
16	pulse	660	150 ms On/150 ms Off	Swedish	16	96
17	pulse	660	1.8 s On/1.8 s Off	Swedish	17	98
18	pulse	660	6.5 s On/13 s Off	Swedish	18	98
19	continuous	660		Swedish	19	98
20	alternating	554 & 440	0.5 Hz		20	102
21	pulse	660	1 Hz	Swedish	21	97
22	pulse	2850	150 ms On/100 ms Off	GB	14	104
23	rising	800 - 970	50 Hz (low)	BS 5839 Part 1 1988	14	102
24	rising	2400 - 2850	50 Hz (high)		4	109
25	pulse	970	3 x 500 ms ON/500 ms OFF / 1.5 s silence, then repeat (low)	ISO 8201 US Temporal	26	101
26	pulse	2850	3 x 500 ms ON/500 ms OFF / 1.5 s silence, then repeat (high)	ISO 8201 US Temporal	25	104
27	continuous	4000			27	92
28	rising	2000 - 2850	7 Hz		2000 Hz cont.	111
29	alternating	988 & 645	2 Hz		988 Hz cont.	102
30	alternating	510 & 610	2 Hz		510 Hz cont.	102
31	alternating	800 & 970	2 Hz	5839-1:2002	800 cont.	105
32	alternating	800 & 1200	1 Hz		800 cont.	105



Архангельск (8182)63-90-72	Ижевск (3412)26-03-58	Магнитогорск (3519)55-03-13	Пермь (342)205-81-47	Сургут (3462)77-98-35
Астана (7172)727-132	Иркутск (395)279-98-46	Москва (495)268-04-70	Ростов-на-Дону (863)308-18-15	Тверь (4822)63-31-35
Астрахань (8512)99-46-04	Казань (843)206-01-48	Мурманск (8152)59-64-93	Рязань (4912)46-61-64	Томск (3822)98-41-53
Барнаул (3852)73-04-60	Калининград (4012)72-03-81	Набережные Челны (8552)20-53-41	Самара (846)206-03-16	Тула (4872)74-02-29
Белгород (4722)40-23-64	Калуга (4842)92-23-67	Нижний Новгород (831)429-08-12	Санкт-Петербург (812)309-46-40	Тюмень (3452)66-21-18
Брянск (4832)59-03-52	Кемерово (3842)65-04-62	Новокузнецк (3843)20-46-81	Саратов (845)249-38-78	Ульяновск (8422)24-23-59
Владивосток (423)249-28-31	Киров (8332)68-02-04	Новосибирск (383)227-86-73	Севастополь (8692)22-31-93	Уфа (347)229-48-12
Волгоград (844)278-03-48	Краснодар (861)203-40-90	Омск (3812)21-46-40	Симферополь (3652)67-13-56	Хабаровск (4212)92-98-04
Вологда (8172)26-41-59	Красноярск (391)204-63-61	Орел (4862)44-53-42	Смоленск (4812)29-41-54	Челябинск (351)202-03-61
Воронеж (473)204-51-73	Курск (4712)77-13-04	Оренбург (3532)37-68-04	Сочи (862)225-72-31	Череповец (8202)49-02-64
Екатеринбург (343)384-55-89	Липецк (4742)52-20-81	Пенза (8412)22-31-16	Ставрополь (8652)20-65-13	Ярославль (4852)69-52-93
Иваново (4932)77-34-06	Россия (495)268-04-70	Киргизия (996)312-96-26-47	Казахстан (772)734-952-31	

Единый адрес для всех регионов: wme@nt-rt.ru | www.wema.nt-rt.ru