

Маяки для взрывоопасных, загрязненных зон WERMA серии Midi 729

Технические характеристики



Архангельск (8182)63-90-72
 Астана (7172)727-132
 Астрахань (8512)99-46-04
 Барнаул (3852)73-04-60
 Белгород (4722)40-23-64
 Брянск (4832)59-03-52
 Владивосток (423)249-28-31
 Волгоград (844)278-03-48
 Вологда (8172)26-41-59
 Воронеж (473)204-51-73
 Екатеринбург (343)384-55-89
 Иваново (4932)77-34-06

Ижевск (3412)26-03-58
 Иркутск (395)279-98-46
 Казань (843)206-01-48
 Калининград (4012)72-03-81
 Калуга (4842)92-23-67
 Кемерово (3842)65-04-62
 Киров (8332)68-02-04
 Краснодар (861)203-40-90
 Красноярск (391)204-63-61
 Курск (4712)77-13-04
 Липецк (4742)52-20-81
 Россия (495)268-04-70

Магнитогорск (3519)55-03-13
 Москва (495)268-04-70
 Мурманск (8152)59-64-93
 Набережные Челны (8552)20-53-41
 Нижний Новгород (831)429-08-12
 Новокузнецк (3843)20-46-81
 Новосибирск (383)227-86-73
 Омск (3812)21-46-40
 Орел (4862)44-53-42
 Оренбург (3532)37-68-04
 Пенза (8412)22-31-16
 Киргизия (996)312-96-26-47

Пермь (342)205-81-47
 Ростов-на-Дону (863)308-18-15
 Рязань (4912)46-61-64
 Самара (846)206-03-16
 Санкт-Петербург (812)309-46-40
 Саратов (845)249-38-78
 Севастополь (8692)22-31-93
 Симферополь (3652)67-13-56
 Смоленск (4812)29-41-54
 Сочи (862)225-72-31
 Ставрополь (8652)20-65-13
 Казахстан (772)734-952-31

Сургут (3462)77-98-35
 Тверь (4822)63-31-35
 Томск (3822)98-41-53
 Тула (4872)74-02-29
 Тюмень (3452)66-21-18
 Ульяновск (8422)24-23-59
 Уфа (347)229-48-12
 Хабаровск (4212)92-98-04
 Челябинск (351)202-03-61
 Череповец (8202)49-02-64
 Ярославль (4852)69-52-93

Единый адрес для всех регионов: wme@nt-rt.ru | www.werma.nt-rt.ru

Ex Signal Beacons

Your benefits

Ex rated beacons from WERMA are designed for use in both gas and dust atmospheres that are potentially explosive.

- Their use in the highest explosion group IIC and IIIC has been tested, which means that they are suitable for all explosion groups in the relevant area
- Easy, customer-friendly connection thanks to "e" connection area
- Various light effects, also with LED technology, for all conceivable application types

Typical applications

Signalling faults and relaying alarms

- in potentially explosive atmospheres resulting from gases and liquids (in the chemical industry, filling lines for flammable liquids, petrochemical industry etc.)
- in potentially explosive atmospheres resulting from dust (in the plastics and metalwork industry, food industry, grain mills and the wood processing industry)

Installation options

- Base mounting
- Bracket mounting (accessory)
- Tube mounting (accessory)

Features

728 / 729:

- Extended Ex temperature range of -50 °C to 50°C is possible with accessories

728 / 729:

- Seawater resistant aluminium housing



Signalisation index	
LED Permanent Light	4
LED Rotating Light	6
LED Flashing Light	6
LED EVS Light	8
Xenon Flashing Light	7

729 Ex LED Permanent Beacon Midi



The maintenance-free LEDs have a life duration of up to 50,000 hours



Additional protection with the robust wire guard (accessory)

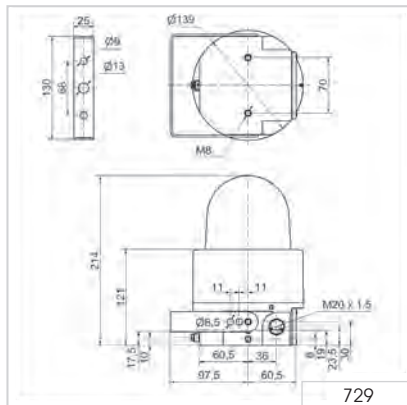
TECHNICAL SPECIFICATIONS/ORDER SPECIFICATIONS:

Dimensions (Ø x Height):	139 x 214 mm	
Housing:	Black coated aluminium, salt water resistant	
Lens:	Reinforced borosilicate glass	
Connection:	CAGE CLAMP® max. 2.5 mm ²	
Fixing:	Wall, base and ceiling mounting Integrated mounting bracket, stainless steel	
Cable entry:	Cable gland M20 x 1.5 mm Cable diameter 6-13 mm	
Life duration:	Up to 50,000 hrs	
Assembly:	Ex screw plug M20 x 1.5 mm Ex cable gland M20 x 1.5 mm	
Voltage:	24 V DC	115 V/230 V AC
Current consumption:	130 mA	30 mA at 230 V AC
Explosion protection:	ⓧ II 2G Ex d e IIC T6 Gb ⓧ II 2D Ex tb IIC T80°C Db	
Approval:	BVS 11 ATEX E 107 IECEx_BVS_11.0082	
red	729 100 55	729 100 68
yellow	729 300 55	729 300 68

ACCESSORIES:

Ex wire guard, stainless steel	975 729 03
Ex cable gland M20 x 1.5 mm, metal	
To expand the temperature range from -40 °C to -50 °C	975 729 04
Ex screw plug M20 x 1.5 mm	975 729 02
Ex cable gland M20 x 1.5 mm	
For connecting to an additional beacon	975 729 01

TECHNICAL DIAGRAM:



Signalisation index	
LED Permanent Light	 4

			<table border="1"> <tr> <td>2 G</td> <td>2 D</td> </tr> <tr> <td>Zone 1 + 2</td> <td>Zone 21 + 22</td> </tr> </table>	2 G	2 D	Zone 1 + 2	Zone 21 + 22	<table border="1"> <tr> <td>2.9 kg</td> </tr> </table>	2.9 kg		<table border="1"> <tr> <td>+50°C</td> <td>-40°C</td> </tr> </table>	+50°C	-40°C
2 G	2 D												
Zone 1 + 2	Zone 21 + 22												
2.9 kg													
+50°C	-40°C												



729 Ex LED Rotating Beacon Midi



Intense rotating signal effect with low power consumption



Innovative solution: The universal mounting bracket (included in assembly)

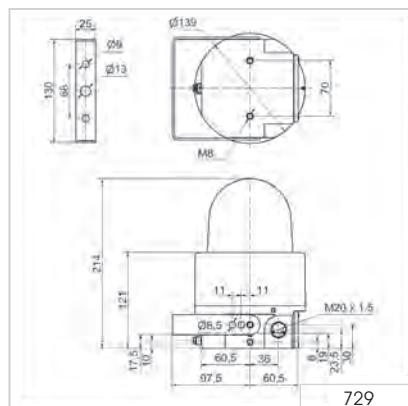
① TECHNICAL SPECIFICATIONS/ORDER SPECIFICATIONS:

Dimensions (Ø x Height):	139 x 214 mm	
Housing:	Black coated aluminium, salt water resistant	
Lens:	Reinforced borosilicate glass	
Connection:	CAGE CLAMP® max. 2.5 mm ²	
Fixing:	Wall, base and ceiling mounting Integrated mounting bracket, stainless steel	
Cable entry:	Cable gland M20 x 1.5 mm Cable diameter 6-13 mm	
Mirror rotation rate:	c. 180 r.p.m.	
Duty cycle:	100 %	
Life duration:	Up to 50,000 hrs	
Assembly:	Ex screw plug M20 x 1.5 mm Ex cable gland M20 x 1.5 mm	
Voltage:	24 V DC	115 V/230 V AC
Current consumption:	< 170 m A	150 mA at 230 V AC
Explosion protection:	ⓧ II 2G Ex d e IIC T6 Gb ⓧ II 2D Ex tb IIIC T80°C Db	ⓧ II 2G Ex d e IIC T5 Gb ⓧ II 2D Ex tb IIIC T95°C Db
Approval:	BVS 11 ATEX E 107 IECEX_BVS_11.0082	BVS 11 ATEX E 107 IECEX_BVS_11.0082
red	729 120 55	729 120 68
yellow	729 320 55	729 320 68

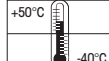
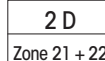
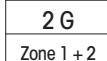
✂ ACCESSORIES:

Ex wire guard, stainless steel	975 729 03
Ex cable gland M20 x 1.5 mm, metal	
To expand the temperature range from -40 °C to -50 °C	975 729 04
Ex screw plug M20 x 1.5 mm	975 729 02
Ex cable gland M20 x 1.5 mm	
For connecting to an additional beacon	975 729 01

← TECHNICAL DIAGRAM:



Signalisation index
LED Rotating Light **6**



729 Ex LED Double Flash Beacon Midi



Intense double flash with low power consumption



Additional protection with the robust wire guard (accessory)

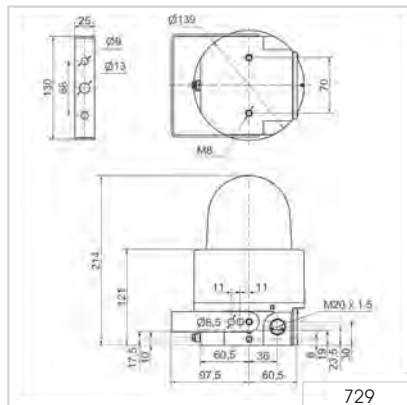
TECHNICAL SPECIFICATIONS/ORDER SPECIFICATIONS:

Dimensions (Ø x Height):	139 x 214 mm	
Housing:	Black coated aluminium, salt water resistant	
Lens:	Reinforced borosilicate glass	
Connection:	CAGE CLAMP® max. 2.5 mm ²	
Fixing:	Wall, base and ceiling mounting Integrated mounting bracket, stainless steel	
Cable entry:	Cable gland M20 x 1.5 mm Cable diameter 6-13 mm	
Assembly:	Ex screw plug M20 x 1.5 mm Ex cable gland M20 x 1.5 mm	
Voltage:	24 V DC	115 V/230 V AC
Current consumption:	< 140 mA	140 mA at 230 V AC
Explosion protection:	ⓧ II 2G Ex d e IIC T6 Gb ⓧ II 2D Ex tb IIIC T80°C Db	ⓧ II 2G Ex d e IIC T5 Gb ⓧ II 2D Ex tb IIIC T95°C Db
Approval:	BVS 11 ATEX E 107 IECEX_BVS_11.0082	BVS 11 ATEX E 107 IECEX_BVS_11.0082
red	729 150 55	729 150 68
yellow	729 350 55	729 350 68

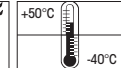
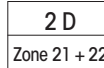
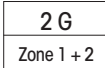
ACCESSORIES:

Ex wire guard, stainless steel	975 729 03
Ex cable gland M20 x 1.5 mm, metal To expand the temperature range from -40 °C to -50 °C	975 729 04
Ex screw plug M20 x 1.5 mm	975 729 02
Ex cable gland M20 x 1.5 mm For connecting to an additional beacon	975 729 01

TECHNICAL DIAGRAM:



Signalisation index	
LED Double Flash	6





The flickering light of the Ex LED EVS beacon generates an optimal awareness level



Random light signals prevent an acclimatisation effect occurring

729 Ex LED EVS Beacon Midi

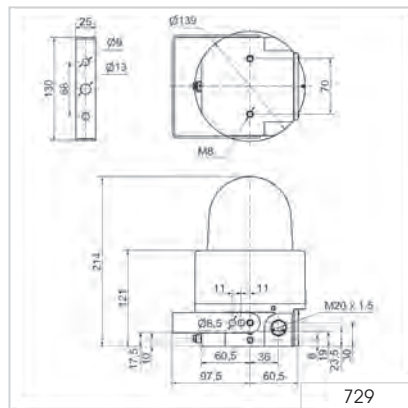
① TECHNICAL SPECIFICATIONS/ORDER SPECIFICATIONS:

Dimensions (Ø x Height):	139 x 214 mm	
Housing:	Black coated aluminium, salt water resistant	
Lens:	Reinforced borosilicate glass	
Connection:	CAGE CLAMP® max. 2.5 mm ²	
Fixing:	Wall, base and ceiling mounting Integrated mounting bracket, stainless steel	
Cable entry:	Cable gland M20 x 1.5 mm Cable diameter 6-13 mm	
Life duration:	Up to 50,000 hrs	
Assembly:	Ex screw plug M20 x 1.5 mm Ex cable gland M20 x 1.5 mm	
Voltage:	24 V DC	115 V/230 V AC
Current consumption:	< 240 mA	140 mA at 230 V AC
Explosion protection:	ⓧ II 2G Ex d e IIC T6 Gb ⓧ II 2D Ex tb IIIC T80°C Db	ⓧ II 2G Ex d e IIC T5 Gb ⓧ II 2D Ex tb IIIC T95°C Db
Approval:	BVS 11 ATEX E 107 IECEX_BVS_11.0082	BVS 11 ATEX E 107 IECEX_BVS_11.0082
red	729 160 55	729 160 68
yellow	729 360 55	729 360 68

✂ ACCESSORIES:

Ex wire guard, stainless steel	975 729 03
Ex cable gland M20 x 1.5 mm, metal To expand the temperature range from -40 °C to -50 °C	975 729 04
Ex screw plug M20 x 1.5 mm	975 729 02
Ex cable gland M20 x 1.5 mm For connecting to an additional beacon	975 729 01

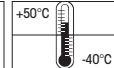
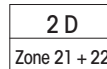
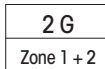
↔ TECHNICAL DIAGRAM:



Signalisation index

LED EVS Light

8



Архангельск (8182)63-90-72	Ижевск (3412)26-03-58	Магнитогорск (3519)55-03-13	Пермь (342)205-81-47	Сургут (3462)77-98-35
Астана (7172)727-132	Иркутск (395)279-98-46	Москва (495)268-04-70	Ростов-на-Дону (863)308-18-15	Тверь (4822)63-31-35
Астрахань (8512)99-46-04	Казань (843)206-01-48	Мурманск (8152)59-64-93	Рязань (4912)46-61-64	Томск (3822)98-41-53
Барнаул (3852)73-04-60	Калининград (4012)72-03-81	Набережные Челны (8552)20-53-41	Самара (846)206-03-16	Тула (4872)74-02-29
Белгород (4722)40-23-64	Калуга (4842)92-23-67	Нижний Новгород (831)429-08-12	Санкт-Петербург (812)309-46-40	Тюмень (3452)66-21-18
Брянск (4832)59-03-52	Кемерово (3842)65-04-62	Новокузнецк (3843)20-46-81	Саратов (845)249-38-78	Ульяновск (8422)24-23-59
Владивосток (423)249-28-31	Киров (8332)68-02-04	Новосибирск (383)227-86-73	Севастополь (8692)22-31-93	Уфа (347)229-48-12
Волгоград (844)278-03-48	Краснодар (861)203-40-90	Омск (3812)21-46-40	Симферополь (3652)67-13-56	Хабаровск (4212)92-98-04
Вологда (8172)26-41-59	Красноярск (391)204-63-61	Орел (4862)44-53-42	Смоленск (4812)29-41-54	Челябинск (351)202-03-61
Воронеж (473)204-51-73	Курск (4712)77-13-04	Оренбург (3532)37-68-04	Сочи (862)225-72-31	Череповец (8202)49-02-64
Екатеринбург (343)384-55-89	Липецк (4742)52-20-81	Пенза (8412)22-31-16	Ставрополь (8652)20-65-13	Ярославль (4852)69-52-93
Иваново (4932)77-34-06	Россия (495)268-04-70	Киргизия (996)312-96-26-47	Казахстан (772)734-952-31	

Единый адрес для всех регионов: wme@nt-rt.ru | www.wema.nt-rt.ru