

Собранные сигнальные колонны WERMA серии CleanSIGN

Технические характеристики



Архангельск (8182)63-90-72
Астана (7172)727-132
Астрахань (8512)99-46-04
Барнаул (3852)73-04-60
Белгород (4722)40-23-64
Брянск (4832)59-03-52
Владивосток (423)249-28-31
Волгоград (844)278-03-48
Вологда (8172)26-41-59
Воронеж (473)204-51-73
Екатеринбург (343)384-55-89
Иваново (4932)77-34-06

Ижевск (3412)26-03-58
Иркутск (395)279-98-46
Казань (843)206-01-48
Калининград (4012)72-03-81
Калуга (4842)92-23-67
Кемерово (3842)65-04-62
Киров (8332)68-02-04
Краснодар (861)203-40-90
Красноярск (391)204-63-61
Курск (4712)77-13-04
Липецк (4742)52-20-81
Россия (495)268-04-70

Магнитогорск (3519)55-03-13
Москва (495)268-04-70
Мурманск (8152)59-64-93
Набережные Челны (8552)20-53-41
Нижний Новгород (831)429-08-12
Новокузнецк (3843)20-46-81
Новосибирск (383)227-86-73
Омск (3812)21-46-40
Орел (4862)44-53-42
Оренбург (3532)37-68-04
Пенза (8412)22-31-16
Киргизия (996)312-96-26-47

Пермь (342)205-81-47
Ростов-на-Дону (863)308-18-15
Рязань (4912)46-61-64
Самара (846)206-03-16
Санкт-Петербург (812)309-46-40
Саратов (845)249-38-78
Севастополь (8692)22-31-93
Симферополь (3652)67-13-56
Смоленск (4812)29-41-54
Сочи (862)225-72-31
Ставрополь (8652)20-65-13
Казахстан (772)734-952-31

Сургут (3462)77-98-35
Тверь (4822)63-31-35
Томск (3822)98-41-53
Тула (4872)74-02-29
Тюмень (3452)66-21-18
Ульяновск (8422)24-23-59
Уфа (347)229-48-12
Хабаровск (4212)92-98-04
Челябинск (351)202-03-61
Череповец (8202)49-02-64
Ярославль (4852)69-52-93

Единый адрес для всех регионов: wme@nt-rt.ru | | www.werma.nt-rt.ru



CleanSIGN - pre-assembled Signal Tower

Your benefits

The CleanSIGN signal tower has been specifically developed and certified for use in clean rooms, food and hygiene areas as well as the pharmaceutical industry. The signal tower ensures maximum safety in these environments by reducing the risk of contamination.

- Reliable signalling even in clean rooms
- Easy-to-clean, hygienic design for optimal cleaning and disinfection
- Ensures food safety through the absence of uneven surfaces, elevated or countersunk elements where dirt can accumulate
- Use of food safe materials and resistant to cleaning agents (FDA approved)
- Application-specific selection of colours and light effects for maximum flexibility

Typical applications

Fault signalling

- in clean rooms, e.g. semiconductor and solar industries
- in the food and beverage industry
- in pharmaceutical and cosmetic industries

Installation options

- Base mounting
- Ceiling mounting
- Wall mounting

Features

- Fraunhofer IPA approval
- Bracket mounting fulfills Air Cleanliness Class 1 for Cleanroom applications in accordance with DIN EN ISO 14644-1
- Base or Ceiling mounting fulfills Air Cleanliness Class 1
- Electronic modularity of the individual tiers (colour and light effects individually adjustable/ can be externally triggered)



Size comparison CleanSIGN / KombiSIGN 72



Signalisation Index

Optical		Audible	
LED Permanent Light	3	Continuous tone	3
LED Blinking Light	3		
LED EVS Light	5		



Fixed, three tier colour distribution in red, yellow and green

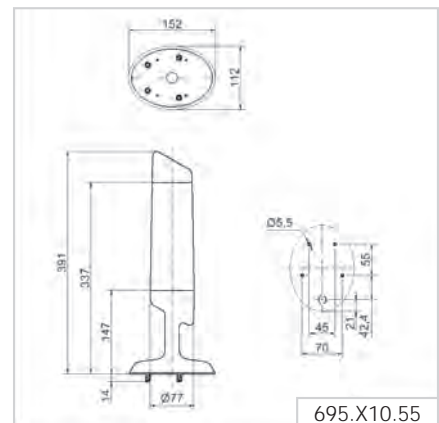
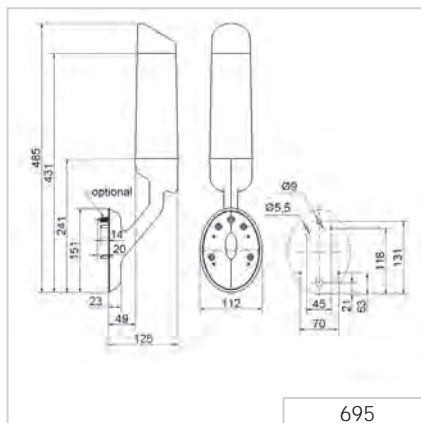


The "EVS" light effect ensures a maximum attention-grabbing effect (can be set with complete illumination)

TECHNICAL SPECIFICATIONS/ORDER SPECIFICATIONS:

	Wall mounting	Base/Ceiling mounting
Dimensions (L x H x W):	112 mm x 485 mm x 125 mm	112 mm x 391 mm x 125 mm
Housing:	PA, black	
Lens:	PA, transparent	
Fixing:	Wall mounting, integrated mounting bracket Base mounting, Ceiling mounting	
Sound output:	85 dB (A)	
CleanSIGN red/green/yellow		
Connection:	Cable, 2 m long, included in the assembly	
Colours:	Pre-set colours: red/yellow/green	
Voltage:	24 V DC	
Current consumption:	Optical: < 120 mA per tier Buzzer: < 20 mA	
Order no.:	695 300 55	695 310 55
CleanSIGN RGY		
Connection:	Screw terminal max. 1.5 mm ²	
Colours:	Colours selectable by dip-switch: red/yellow/green	
Voltage:	24 V DC	
Current consumption:	Optical: < 240 mA Buzzer: < 20 mA	
Order no.:	695 200 55	695 210 55
CleanSIGN RGB		
Connection:	Screw terminal max. 1.5 mm ²	
Colours:	Red, yellow, green, white, blue, violet, turquoise Colours selectable by dip-switch	
Light effects:	Tier-by-tier illumination: Blinking light Complete illumination: EVS	
Voltage:	24 V DC	
Current consumption:	Optical: < 240 mA Buzzer: < 20 mA	
Order no.:	695 000 55	695 010 55

TECHNICAL DIAGRAMS:



695.300.55



695.310.55



695.200.55



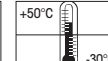
695.210.55



695.000.55



695.010.55



Архангельск (8182)63-90-72	Ижевск (3412)26-03-58	Магнитогорск (3519)55-03-13	Пермь (342)205-81-47	Сургут (3462)77-98-35
Астана (7172)727-132	Иркутск (395)279-98-46	Москва (495)268-04-70	Ростов-на-Дону (863)308-18-15	Тверь (4822)63-31-35
Астрахань (8512)99-46-04	Казань (843)206-01-48	Мурманск (8152)59-64-93	Рязань (4912)46-61-64	Томск (3822)98-41-53
Барнаул (3852)73-04-60	Калининград (4012)72-03-81	Набережные Челны (8552)20-53-41	Самара (846)206-03-16	Тула (4872)74-02-29
Белгород (4722)40-23-64	Калуга (4842)92-23-67	Нижний Новгород (831)429-08-12	Санкт-Петербург (812)309-46-40	Тюмень (3452)66-21-18
Брянск (4832)59-03-52	Кемерово (3842)65-04-62	Новокузнецк (3843)20-46-81	Саратов (845)249-38-78	Ульяновск (8422)24-23-59
Владивосток (423)249-28-31	Киров (8332)68-02-04	Новосибирск (383)227-86-73	Севастополь (8692)22-31-93	Уфа (347)229-48-12
Волгоград (844)278-03-48	Краснодар (861)203-40-90	Омск (3812)21-46-40	Симферополь (3652)67-13-56	Хабаровск (4212)92-98-04
Вологда (8172)26-41-59	Красноярск (391)204-63-61	Орел (4862)44-53-42	Смоленск (4812)29-41-54	Челябинск (351)202-03-61
Воронеж (473)204-51-73	Курск (4712)77-13-04	Оренбург (3532)37-68-04	Сочи (862)225-72-31	Череповец (8202)49-02-64
Екатеринбург (343)384-55-89	Липецк (4742)52-20-81	Пенза (8412)22-31-16	Ставрополь (8652)20-65-13	Ярославль (4852)69-52-93
Иваново (4932)77-34-06	Россия (495)268-04-70	Киргизия (996)312-96-26-47	Казахстан (772)734-952-31	

Единый адрес для всех регионов: wme@nt-rt.ru | www.wema.nt-rt.ru