

# Модульные сигнальные колонны WERMA серии KombiSIGN 71

## Технические характеристики



Архангельск (8182)63-90-72  
Астана (7172)727-132  
Астрахань (8512)99-46-04  
Барнаул (3852)73-04-60  
Белгород (4722)40-23-64  
Брянск (4832)59-03-52  
Владивосток (423)249-28-31  
Волгоград (844)278-03-48  
Вологда (8172)26-41-59  
Воронеж (473)204-51-73  
Екатеринбург (343)384-55-89  
Иваново (4932)77-34-06

Ижевск (3412)26-03-58  
Иркутск (395)279-98-46  
Казань (843)206-01-48  
Калининград (4012)72-03-81  
Калуга (4842)92-23-67  
Кемерово (3842)65-04-62  
Киров (8332)68-02-04  
Краснодар (861)203-40-90  
Красноярск (391)204-63-61  
Курск (4712)77-13-04  
Липецк (4742)52-20-81  
Россия (495)268-04-70

Магнитогорск (3519)55-03-13  
Москва (495)268-04-70  
Мурманск (8152)59-64-93  
Набережные Челны (8552)20-53-41  
Нижний Новгород (831)429-08-12  
Новокузнецк (3843)20-46-81  
Новосибирск (383)227-86-73  
Омск (3812)21-46-40  
Орел (4862)44-53-42  
Оренбург (3532)37-68-04  
Пенза (8412)22-31-16  
Киргизия (996)312-96-26-47

Пермь (342)205-81-47  
Ростов-на-Дону (863)308-18-15  
Рязань (4912)46-61-64  
Самара (846)206-03-16  
Санкт-Петербург (812)309-46-40  
Саратов (845)249-38-78  
Севастополь (8692)22-31-93  
Симферополь (3652)67-13-56  
Смоленск (4812)29-41-54  
Сочи (862)225-72-31  
Ставрополь (8652)20-65-13  
Казахстан (772)734-952-31

Сургут (3462)77-98-35  
Тверь (4822)63-31-35  
Томск (3822)98-41-53  
Тула (4872)74-02-29  
Тюмень (3452)66-21-18  
Ульяновск (8422)24-23-59  
Уфа (347)229-48-12  
Хабаровск (4212)92-98-04  
Челябинск (351)202-03-61  
Череповец (8202)49-02-64  
Ярославль (4852)69-52-93

Единый адрес для всех регионов: [wme@nt-rt.ru](mailto:wme@nt-rt.ru) | [www.werma.nt-rt.ru](http://www.werma.nt-rt.ru)



# KombiSIGN 71 - Signal Tower

## Your benefits

The KombiSIGN 71 has successfully established itself as the standard in industrial applications over recent years. The patented bayonet mechanism enables elements to be installed or removed in a matter of seconds.

- A wide range of accessories ensures maximum flexibility
- High-tech: The Signal Towers can easily be retrofitted with SmartMONITOR (intelligent MDC alternative) or AndonSPEED (call-for-action system)
- Completely pre-configured standard versions are available (common configurations as a complete tower with a single part number)

## Typical applications

Signalling fault messages

- on machinery and equipment
- on automated systems
- in assembly plants, for example, in the automotive industry
- in the building services industry

## Installation options

- Base mounting
- Tube mounting
- Additional installation options using accessories

## Features

- Different light effects are possible for individual signalling
- The Multicolour element offers up to seven colours in a single element
- The self-adjusting siren element automatically adapts to the ambient noise level
- Vocal element for your own mp3 or wav files
- Combine the KombiSIGN 71 light elements with special controller solutions such as USB or ASi, or integrate one of the versatile audible elements



Size comparison KombiSIGN 71 / 40



### Signalisation Index

Optical		Audible	2 tone/8 tone	105 dB Siren	Vocal element
Permanent Light	2	Continuous tone	3	5	
LED Permanent Light	2	Pulse tone	3	6	
LED Blinking Light	3	Multi tone	5		
LED Permanent Light (ultrabright)	4	Vocal element			5
LED Rotating Light	5				
LED Flashing Light	6				
LED EVS Light	6				
Xenon Flash	5				

# How to assemble your KombiSIGN 71 signal tower

## ► STEP 1

Select the required optical or audible elements in the correct voltage (for details see page 41).



**Audible Signal Elements**

- Buzzer element
- Siren element
- Vocal element

**Optical Signal Elements**







- (LED) Permanent light
- LED Permanent light ultrabright
- (LED) Flashing light
- LED EVS element
- LED Blinking light
- LED Rotating light
- LED Permanent light element multicolour

## ► STEP 2

Select the appropriate mounting option for your application.

## ► STEP 3

Select the correct terminal element for your mounting option (for details see page 45).

Base Mounting	Tube Mounting
 Terminal element with CAGE CLAMP® technology Order no. <b>640 800 00</b>	 Terminal element with CAGE CLAMP® technology Order no. <b>640 810 00</b>
 Screw terminal Order no. <b>640 820 00</b>	 Screw terminal Order no. <b>640 830 00</b>
 Terminal element M12 Order no. <b>640 850 55</b>	 Terminal element M12 Order no. <b>640 860 55</b>

## ► STEP 4

Where appropriate, select a base and the desired tube length (only for tube mounting) (For details see page 64).

 Tube with clamp Order no. <b>960 000 18</b>	 Adaptor for single hole mounting Order no. <b>960 000 25</b>	 Base with integrated tube Order no. <b>975 840 10</b>	<p>Tube Ø 25 mm, all anodised</p> <p>100 mm long Order no. <b>975 845 10</b></p> <p>250 mm long Order no. <b>975 840 25</b></p> <p>400 mm long Order no. <b>975 840 40</b></p> <p>600 mm long Order no. <b>975 840 60</b></p> <p>800 mm long Order no. <b>975 840 80</b></p> <p>1000 mm long Order no. <b>975 840 03</b></p> <p>Base for Tube, plastic Order no. <b>975 840 90</b></p> <p>Base for Tube, metal Order no. <b>975 840 91</b></p> <p>Foldaway Base Order no. <b>960 000 30</b></p> <p>Foldaway Base Order no. <b>960 009 12</b></p> <p>Tube Ø 25 mm, plastic, only for Foldaway Base, 45 mm long Order no. <b>960 000 31</b></p>
---	---	--	---

## ► STEP 5

Where appropriate, select the bracket and the contact box (for details see page 64).

With the signal tower configurator you can put together your own individual signal tower.

 Contact box for cable exit at side Order no. <b>975 840 01</b>	 Contact box for cable exit at side Order no. <b>975 840 01</b>
 Bracket for base mounting Order no. <b>960 000 02</b>	 Contact box with magnetic base and cable exit at side Order no. <b>975 840 04</b>
 Bracket for 1-sided mounting Order no. <b>975 840 85</b>	 Bracket for base mounting with concealed cable entry Order no. <b>960 000 14</b>
 Bracket for 2-sided mounting Order no. <b>975 840 86</b>	 Bracket for tube mounting Order no. <b>960 000 01</b>
 Corner fixing bracket Order no. <b>960 000 41</b>	 Corner fixing bracket Order no. <b>960 000 41</b>









# KombiSIGN 71 - Signal Tower

Or use one of our pre-configured signal towers. With just one part number you can obtain the most popular configurations.



## TECHNICAL SPECIFICATIONS/ORDER SPECIFICATIONS:

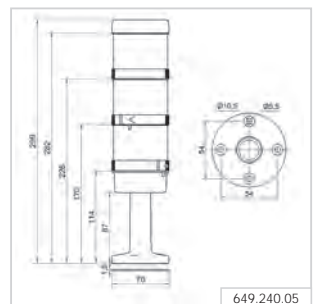
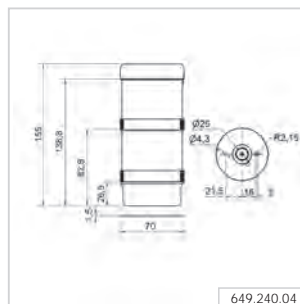
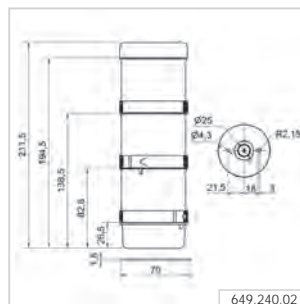
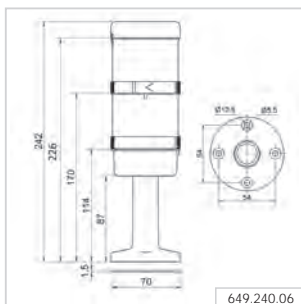
Pre-configured signal tower	2 tier	3 tier
Voltage:	24 V AC/DC	
<b>Base/Bracket mounting</b>		
Consisting of:	 644 100 75 + 644 200 75 + 640 800 00	 644 100 75 + 644 300 75 + 644 200 75 + 640 800 00
Dimensions (Ø x Height):	70 mm x 155 mm	70 mm x 211.5 mm
LED Permanent Light green/yellow/red	-	<b>649 240 02</b>
LED Permanent Light green/red	<b>649 240 04</b>	-
<b>Tube mounting</b>		
Consisting of:	 644 100 75 + 644 200 75 + 640 810 00 + 975 840 10	 644 100 75 + 644 300 75 + 644 200 75 + 640 810 00 + 975 840 10
Dimensions (Ø x Height):	70 mm x 242 mm	70 mm x 299 mm
LED Permanent Light green/yellow/red	-	<b>649 240 05</b>
LED Permanent Light green/red	<b>649 240 06</b>	-

Technical details are given on the relevant product page.

## ACCESSORIES:

Bracket for 1-sided mounting	<b>975 840 85</b>
Bracket for surface mounting	<b>960 000 02</b>
Bracket for base mounting	<b>960 000 01</b>

## TECHNICAL DIAGRAMS:

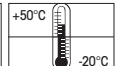


649 240 04

649 240 06

649 240 02

649 240 05



# KombiSIGN 71 - Optical Signal Elements



## TECHNICAL SPECIFICATIONS/ORDER SPECIFICATIONS:

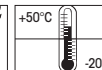
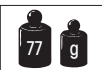
Dimensions (Ø x Height):	70 mm x 65.5 mm			
Lens:	PC, transparent			
Socket:	Bayonet, BA15d, for bulbs max. 5 W			
Protection rating:	IP 65			
Life duration:	50,000 hrs (LED)			
<b>Permanent light element</b>	12-240 V AC/DC			
red	<b>641 100 00</b>			
green	<b>641 200 00</b>			
yellow	<b>641 300 00</b>			
clear	<b>641 400 00</b>			
blue	<b>641 500 00</b>			
Life duration:	Dependent upon the bulbs used			
Bulb not included in assembly.				
<b>LED Permanent light element</b>	24 V AC/DC	115 V AC	230 V AC	
Current consumption:	< 35 mA	< 25 mA	< 35 mA	
red	<b>644 100 75</b>	<b>644 100 67</b>	<b>644 100 68</b>	
green	<b>644 200 75</b>	<b>644 200 67</b>	<b>644 200 68</b>	
yellow	<b>644 300 75</b>	<b>644 300 67</b>	<b>644 300 68</b>	
clear	<b>644 400 75</b>	<b>644 400 67</b>	<b>644 400 68</b>	
blue	<b>644 500 75</b>	<b>644 500 67</b>	<b>644 500 68</b>	
<b>LED Permanent light element ultrabright</b>	24 V DC			
Current consumption:	< 195 mA			
red	<b>644 180 55</b>			
green	<b>644 280 55</b>			
yellow	<b>644 380 55</b>			
clear	<b>644 480 55</b>			
blue	<b>644 580 55</b>			
<b>Flashing light element (Xenon)</b>	24 V DC (ASI)	24 V DC	115 V AC	230 V AC
Current consumption:	< 80 mA	< 125 mA	< 22 mA	< 15 mA
red	<b>643 110 55</b>	<b>643 100 55</b>	<b>643 100 67</b>	<b>643 100 68</b>
green	<b>643 210 55</b>	<b>643 200 55</b>	<b>643 200 67</b>	<b>643 200 68</b>
yellow	<b>643 310 55</b>	<b>643 300 55</b>	<b>643 300 67</b>	<b>643 300 68</b>
clear	<b>643 410 55</b>	<b>643 400 55</b>	<b>643 400 67</b>	<b>643 400 68</b>
blue	<b>643 510 55</b>	<b>643 500 55</b>	<b>643 500 67</b>	<b>643 500 68</b>
Life duration:	4 x 10 <sup>6</sup> flashes			
Flash frequency:	c. 1 Hz			
<b>LED Flashing light element</b>	24 V DC			
Current consumption:	< 35 mA			
red	<b>644 120 55</b>			
green	<b>644 220 55</b>			
yellow	<b>644 320 55</b>			
clear	<b>644 420 55</b>			
blue	<b>644 520 55</b>			
Flash frequency:	c. 1 Hz (Double Flash)			



643 X10 55  
Class 2



Max.



24 V





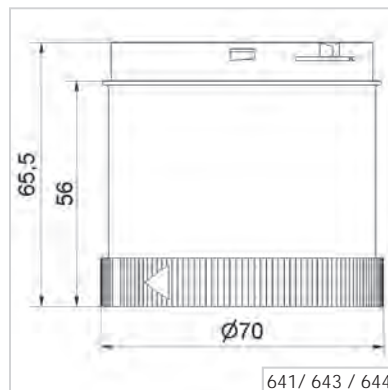
**evs**<sup>®</sup>  
enhanced visibility system

## KombiSIGN 71 - Optical Signal Elements

### ① TECHNICAL SPECIFICATIONS/ORDER SPECIFICATIONS:

<b>LED EVS element</b>	24 V AC/DC		
Current consumption:	350 mA		
red	<b>644 140 55</b>		
green	<b>644 240 55</b>		
yellow	<b>644 340 55</b>		
clear	<b>644 440 55</b>		
blue	<b>644 540 55</b>		
<b>LED Blinking light element</b>	24 V AC/DC	115 V AC	230 V AC
Current consumption:	< 25 mA	< 25 mA	< 35 mA
red	<b>644 110 75</b>	<b>644 110 67</b>	<b>644 110 68</b>
green	<b>644 210 75</b>	<b>644 210 67</b>	<b>644 210 68</b>
yellow	<b>644 310 75</b>	<b>644 310 67</b>	<b>644 310 68</b>
clear	<b>644 410 75</b>	<b>644 410 67</b>	<b>644 410 68</b>
blue	<b>644 510 75</b>	<b>644 510 67</b>	<b>644 510 68</b>
Blink frequency:	c. 1 Hz		
<b>LED Rotating light element</b>	24 V AC/DC		
Current consumption:	< 40 mA		
red	<b>644 130 75</b>		
green	<b>644 230 75</b>		
yellow	<b>644 330 75</b>		
clear	<b>644 430 75</b>		
blue	<b>644 530 75</b>		
Rotation frequency:	c. 120 r.p.m.		
<b>LED Permanent light element multicolour</b>	24 V DC		
Current consumption:	< 120 mA		
Multicolour	<b>644 450 55</b>		
Possible colours:	Red, yellow, green, white, blue, violet, turquoise controlled by binary inputs		
Number of modules possible:	Max. 3 (including multicolour element)		
Further voltages on request.			

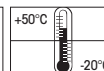
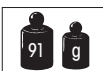
### ↔ TECHNICAL DIAGRAMS:



643 X10 55  
Class 2



Max.



24 V

PLC

# KombiSIGN 71 - Audible Elements



Buzzer element



Siren element ClassicLOOK

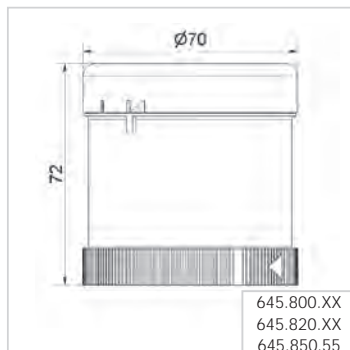


Siren element DesignLOOK

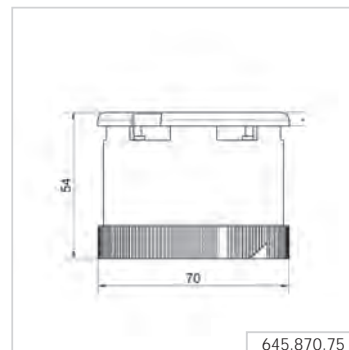
## ① TECHNICAL SPECIFICATIONS/ORDER SPECIFICATIONS:

Dimensions (Ø x Height):	See below		
Lens:	PC		
Protection rating:	IP 65		
Life duration:	5,000 hrs		
<b>Buzzer element</b>			
Dimensions (Ø x Height):	70 mm x 72 mm		
Sound output:	85 dB (A)		
Number/Tone type:	Continuous or pulse tone		
Voltage:	24 V AC/DC	115 V AC	230 V AC
Current consumption:	< 35 mA	< 25 mA	< 25 mA
Order no.:	<b>645 800 75</b>	<b>645 800 77</b>	<b>645 800 68</b>
<b>Siren element</b>			
Dimensions (Ø x Height):	70 mm x 54 mm		
Sound output:	95-105 dB (A), adjustable by slide switch		
Number/Tone type:	Continuous tone, alternating tone, selectable by slide switch		
Voltage:	24 V AC/DC		
Current consumption:	< 40 mA		
Order no.:	<b>645 870 75</b>		
<b>Siren element 8 tones</b>			
Dimensions (Ø x Height):	70 mm x 72 mm		
Sound output:	92-102 dB (A), adjustable sound output		
Number/Tone type:	8 tones		
<b>ClassicLOOK</b>			
Voltage:	24 V AC/DC	115-230 V AC	
Current consumption:	< 30 mA	< 45 mA	
Order no.:	<b>645 890 75</b>	<b>645 890 60</b>	
<b>DesignLOOK</b>			
Voltage:	24 V AC/DC	115-230 V AC	
Current consumption:	< 30 mA	< 45 mA	
Order no.:	<b>645 790 75</b>	<b>645 790 60</b>	
<b>Multi-functional Siren, with external control</b>			
Dimensions (Ø x Height):	70 mm x 72 mm		
Sound output:	100 dB (A), adjustable sound output		
Number/Tone type:	Number of tones dependent on the number of optical elements		
Tone triggering:	7 diff. tones can be triggered externally		
Voltage:	24 V DC		
Current consumption:	< 80 mA		
Order no.:	<b>645 850 55</b>		

## ↔ TECHNICAL DIAGRAMS:



645.800.XX  
645.820.XX  
645.850.55



645.870.75

645.800.XX

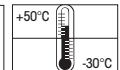
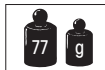
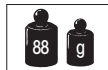
645.870.75

645.820.XX

645.850.55

24 V

645.870.75  
645.770.75  
645.890.xx  
645.790.xx





# KombiS/GN 71 - Audible Elements

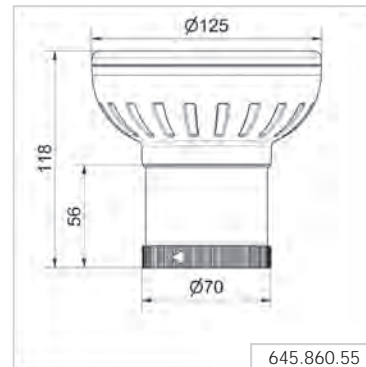


High output vocal element  
with up to 102 dB

## TECHNICAL SPECIFICATIONS/ORDER SPECIFICATIONS:

Dimensions (Ø x Height):	See below	
Lens:	PC	
Protection rating:	IP 65	
Life duration:	5,000 hrs	
<b>Siren element with self-adjusting sound output</b>		
Dimensions (Ø x Height):	70 mm x 111 mm	
Voltage:	24 V DC	
Current consumption:	< 150 mA	
Order no.:	<b>645 810 55</b>	
Tone type:	Pulse tone	
Tone frequency:	2.5 kHz	
Sound output:	80 dB (A) - max. 100 dB (A)	
<b>Vocal element</b>	<b>88 dB (A)</b>	<b>102 dB (A)</b>
Dimensions (Ø x Height):	70 mm x 111 mm	125 mm x 118 mm
Voltage:	24 V DC	24 V DC
Current consumption:	< 400 mA	< 400 mA
Order no.:	<b>645 840 55</b>	<b>645 860 55</b>
Number of tiers:	Max. 4 additional signal elements possible	
Sound output:	Adjustable, up to 88 dB (A)	Adjustable, up to 102 dB
File Transfer:	Via USB connection and provided software	
Possible data format:	Mp3 and wav files	
Number of sequences:	15 files can be remotely triggered depending on the number of signal elements used or one sequence with max. 50 files.	
Suitable for:	Windows®, System requirements – see Handbook	
Assembly:	Vocal element, USB connection cable and software	
Further Information:	No UL approval	

## TECHNICAL DIAGRAMS:



645.810.55  
645.840.55



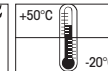
645.810.55



645.840.55



645.860.55



24 V





# KombiS/GN 71 - Terminal Elements



Screw terminal with cap



Terminal element with practical M12 connection socket in base

## TECHNICAL SPECIFICATIONS/ORDER SPECIFICATIONS:

Dimensions (Ø x Height):	See below	
Housing:	Terminal element: PA fibreglass Cap: PC	
Fixing:	Base mounting Tube mounting, for tube Ø 25 mm Bracket mounting (accessory)	
Cable entry:	Cable diameter max. 11 mm	
Protection rating:	IP 65	
Number of modules possible:	Max. 5	
	<b>Tube mounting</b>	<b>Base mounting</b>

Screw terminal		
Dimensions (Ø x Height):	70 mm x 42.5 mm	
Connection:	Screw terminal max. 1.5 mm <sup>2</sup>	
Voltage:	12-240 V AC/DC	
Order no.:	<b>640 830 00</b>	<b>640 820 00</b>
	Incl. cap	Incl. cap and seal

CAGE CLAMP® technology		
Dimensions (Ø x Height):	70 mm x 42.5 mm	
Connection:	CAGE CLAMP® technology max. 1.5 mm <sup>2</sup>	
Voltage:	12-240 V AC/DC	
Order no.:	<b>640 810 00</b>	<b>640 800 00</b>
	Incl. cap	Incl. cap and seal

Terminal element M12		
Dimensions (Ø x Height):	70 mm x 56 mm	70 mm x 50 mm
Connection:	M12 connector (8 pole)	
Voltage:	12-24 V DC	
Current carrying capacity:	≤ 2 A	
Order no.:	<b>640 860 55</b>	<b>640 850 55</b>
	Incl. cap	Incl. cap and seal
	No UL approval	

## ACCESSORIES:

Base with integrated tube	<b>975 840 10</b>
Base for tube (metal)	<b>975 840 91</b>
Tube Ø 25 mm, Aluminium eloxiert	
100 mm long	<b>975 845 10</b>
250 mm long	<b>975 840 25</b>
400 mm long	<b>975 840 40</b>
600 mm long	<b>975 840 60</b>
800 mm long	<b>975 840 80</b>
1000 mm long	<b>975 840 03</b>

Further accessories can be found on page 64.

↔ TECHNICAL DIAGRAMS: next page

640 8X0 00  
x = 0,1,2,3



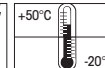
640.820.00  
640.830.00  
max.



640.800.00  
640.810.00  
max.



640.860.55  
640.850.55



24 V





Direct triggering of the signal tower elements via USB Interface

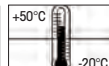
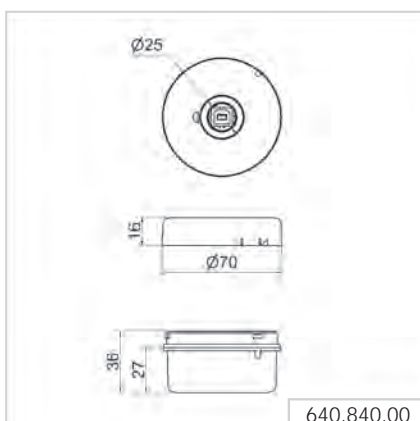
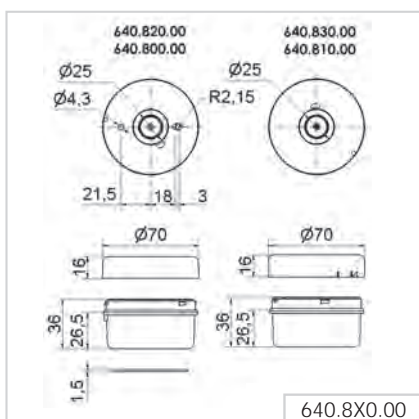
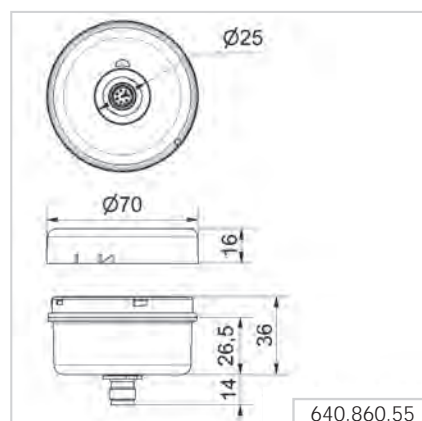
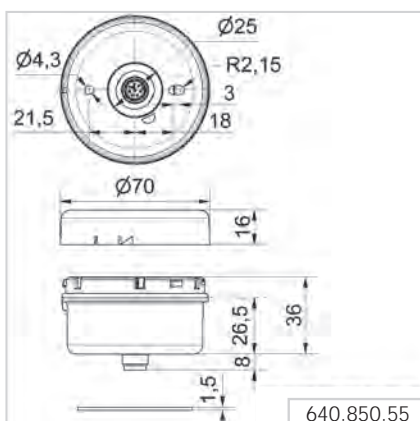
## Kombi/SIGN 71 - USB Terminal Element

### TECHNICAL SPECIFICATIONS/ORDER SPECIFICATIONS:

Terminal element with USB Interface	
Dimensions (Ø x Height):	70 mm x 36 mm
Fixing:	Tube mounting
Connection:	Via USB
Voltage:	Terminal element: Via USB (5 V DC)
Voltage:	24 V DC
Current carrying cap. $\Sigma$ I <sub>max</sub> :	90 mA at 24 V
Order no.:	<b>640 840 00</b>
Assembly:	Assembly includes installation software, drivers, handbook and USB connection cable (length 1.8 m)
Suitable for:	Windows®, System requirements – see Handbook

- Direct triggering of signal tower elements via USB Interface
- Actuation via DLL (Dynamic Link Library) or VCP (Virtual-COM-Port)
- Simple integration into any customer-specific software
- No additional power supply or hardware necessary
- Up to five signal towers with a maximum of five tiers each can be connected
- Maximum cable length 5m

### TECHNICAL DIAGRAMS:



# KombiSIGN 71 - AS-Interface Element



Cable not included in assembly

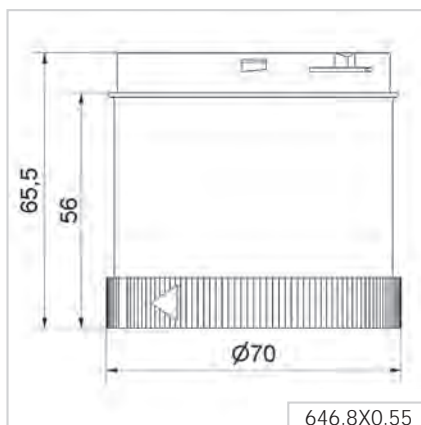


LEDs display the current status

## TECHNICAL SPECIFICATIONS/ORDER SPECIFICATIONS:

Specif. Power supply	Via bus conduction	
AS-Interface Element:		
Operating voltage:	18.5 V ... 31.6 V according to the AS-Interface specification	
Reverse battery protection:	Integrated	
Watchdog:	Integrated	
	<b>Standard Slave</b>	<b>A/B-Slave</b>
Number of addresses:	Max. 31	Max. 62
Number of tiers:	Max 4	Max. 3
IO-Code:	$8_{Hex}$	$8_{Hex}$
ID-Code:	$F_{Hex}$	$A_{Hex}$
ID2-Code:	N/A	$E_{Hex}$
Outputs:	4 semiconductor relays	3 semiconductor relays
Approved in accordance with:	Spec. V 3.0	Spec. V 3.0
Order no.:	<b>646 830 55</b>	<b>646 810 55</b>
	With internal add. voltage	With external add. voltage
Additional external voltage:	24 V DC	
Current carrying cap. $\Sigma I_{max}$ :	200 mA	200 mA per signal
Current consumption max:	210 mA	$\leq 50$ mA
Voltage at signal element:	20 V ... 30 V DC	24 V +/- 10%
Short circuit/overload protection:	Integrated	Pre-fuse M 1.6 A

## TECHNICAL DIAGRAMS:



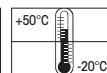
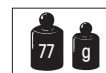
Class 2



Standard Slave



A/B-Slave



<b>Архангельск</b> (8182)63-90-72	<b>Ижевск</b> (3412)26-03-58	<b>Магнитогорск</b> (3519)55-03-13	<b>Пермь</b> (342)205-81-47	<b>Сургут</b> (3462)77-98-35
<b>Астана</b> (7172)727-132	<b>Иркутск</b> (395)279-98-46	<b>Москва</b> (495)268-04-70	<b>Ростов-на-Дону</b> (863)308-18-15	<b>Тверь</b> (4822)63-31-35
<b>Астрахань</b> (8512)99-46-04	<b>Казань</b> (843)206-01-48	<b>Мурманск</b> (8152)59-64-93	<b>Рязань</b> (4912)46-61-64	<b>Томск</b> (3822)98-41-53
<b>Барнаул</b> (3852)73-04-60	<b>Калининград</b> (4012)72-03-81	<b>Набережные Челны</b> (8552)20-53-41	<b>Самара</b> (846)206-03-16	<b>Тула</b> (4872)74-02-29
<b>Белгород</b> (4722)40-23-64	<b>Калуга</b> (4842)92-23-67	<b>Нижний Новгород</b> (831)429-08-12	<b>Санкт-Петербург</b> (812)309-46-40	<b>Тюмень</b> (3452)66-21-18
<b>Брянск</b> (4832)59-03-52	<b>Кемерово</b> (3842)65-04-62	<b>Новокузнецк</b> (3843)20-46-81	<b>Саратов</b> (845)249-38-78	<b>Ульяновск</b> (8422)24-23-59
<b>Владивосток</b> (423)249-28-31	<b>Киров</b> (8332)68-02-04	<b>Новосибирск</b> (383)227-86-73	<b>Севастополь</b> (8692)22-31-93	<b>Уфа</b> (347)229-48-12
<b>Волгоград</b> (844)278-03-48	<b>Краснодар</b> (861)203-40-90	<b>Омск</b> (3812)21-46-40	<b>Симферополь</b> (3652)67-13-56	<b>Хабаровск</b> (4212)92-98-04
<b>Вологда</b> (8172)26-41-59	<b>Красноярск</b> (391)204-63-61	<b>Орел</b> (4862)44-53-42	<b>Смоленск</b> (4812)29-41-54	<b>Челябинск</b> (351)202-03-61
<b>Воронеж</b> (473)204-51-73	<b>Курск</b> (4712)77-13-04	<b>Оренбург</b> (3532)37-68-04	<b>Сочи</b> (862)225-72-31	<b>Череповец</b> (8202)49-02-64
<b>Екатеринбург</b> (343)384-55-89	<b>Липецк</b> (4742)52-20-81	<b>Пенза</b> (8412)22-31-16	<b>Ставрополь</b> (8652)20-65-13	<b>Ярославль</b> (4852)69-52-93
<b>Иваново</b> (4932)77-34-06	<b>Россия</b> (495)268-04-70	<b>Киргизия</b> (996)312-96-26-47	<b>Казахстан</b> (772)734-952-31	

**Единый адрес для всех регионов: [wme@nt-rt.ru](mailto:wme@nt-rt.ru) | [www.wema.nt-rt.ru](http://www.wema.nt-rt.ru)**