

# Маяки светодиодные постоянного свечения WERMA серии Mini 816

## Технические характеристики



Архангельск (8182)63-90-72  
 Астана (7172)727-132  
 Астрахань (8512)99-46-04  
 Барнаул (3852)73-04-60  
 Белгород (4722)40-23-64  
 Брянск (4832)59-03-52  
 Владивосток (423)249-28-31  
 Волгоград (844)278-03-48  
 Вологда (8172)26-41-59  
 Воронеж (473)204-51-73  
 Екатеринбург (343)384-55-89  
 Иваново (4932)77-34-06

Ижевск (3412)26-03-58  
 Иркутск (395)279-98-46  
 Казань (843)206-01-48  
 Калининград (4012)72-03-81  
 Калуга (4842)92-23-67  
 Кемерово (3842)65-04-62  
 Киров (8332)68-02-04  
 Краснодар (861)203-40-90  
 Красноярск (391)204-63-61  
 Курск (4712)77-13-04  
 Липецк (4742)52-20-81  
 Россия (495)268-04-70

Магнитогорск (3519)55-03-13  
 Москва (495)268-04-70  
 Мурманск (8152)59-64-93  
 Набережные Челны (8552)20-53-41  
 Нижний Новгород (831)429-08-12  
 Новокузнецк (3843)20-46-81  
 Новосибирск (383)227-86-73  
 Омск (3812)21-46-40  
 Орел (4862)44-53-42  
 Оренбург (3532)37-68-04  
 Пенза (8412)22-31-16  
 Киргизия (996)312-96-26-47

Пермь (342)205-81-47  
 Ростов-на-Дону (863)308-18-15  
 Рязань (4912)46-61-64  
 Самара (846)206-03-16  
 Санкт-Петербург (812)309-46-40  
 Саратов (845)249-38-78  
 Севастополь (8692)22-31-93  
 Симферополь (3652)67-13-56  
 Смоленск (4812)29-41-54  
 Сочи (862)225-72-31  
 Ставрополь (8652)20-65-13  
 Казахстан (772)734-952-31

Сургут (3462)77-98-35  
 Тверь (4822)63-31-35  
 Томск (3822)98-41-53  
 Тула (4872)74-02-29  
 Тюмень (3452)66-21-18  
 Ульяновск (8422)24-23-59  
 Уфа (347)229-48-12  
 Хабаровск (4212)92-98-04  
 Челябинск (351)202-03-61  
 Череповец (8202)49-02-64  
 Ярославль (4852)69-52-93

Единый адрес для всех регионов: [wme@nt-rt.ru](mailto:wme@nt-rt.ru) | [www.werma.nt-rt.ru](http://www.werma.nt-rt.ru)

# Mini Beacons - 800/801/802/815/816/817 families

## Your benefits

The Mini Signal Beacons are used wherever space is restricted.

The beacons are easy to install and connect, even in tight spaces, thanks to convenient connection terminals and easily accessible mounting holes.

- Reliable signalling at close quarters
- Available as a permanent light or as a bright Xenon flash light to attract attention
- Robust and tamper-proof

## Typical applications

Signalling of faults

- On small machines and equipment
- In building technology

## Installation options

- Base mounting
- M22/PG29 single-hole mounting
- Bracket mounting
- Tube mounting

## Features

- High protection rating IP65 for both indoor and outdoor use

**The 815 / 816 / 817 family:**

- Robust and shock-resistant up to 20 joules



Size comparison Mini 239/Mini



### Signalisation index

Optical		
LED Permanent Light 8xx		3
LED Blinking Light 8xx		3
Permanent Light 8xx		2
Xenon Flashing Light 8xx		4

# 816 LED Installation Permanent Beacon - PG29 (Ø 37 mm)



Tube adaptor as accessory



Surface housing as accessory

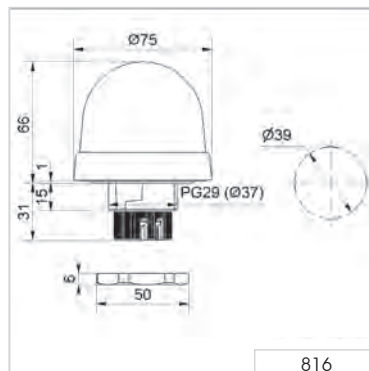
## ① TECHNICAL SPECIFICATIONS/ORDER SPECIFICATIONS:

Dimensions (Ø x Height):	75 mm x 66 mm (Protrusion from panel)		
Housing:	PC/ABS-Blend Socket: PA-GF, high impact		
Lens:	PC, transparent Shock resistance 20 Joules according to EN 60079-0		
Fixing:	Installation mounting for Ø 37 mm (PG29)		
Connection:	Screw terminal 0.5 - 1.5 mm <sup>2</sup>		
Life duration:	Up to 100,000 hrs		
Voltage:	24 V AC/DC	115 V AC	230 V AC
Current consumption:	45 mA	25 mA	25 mA
red	<b>816 100 55</b>	<b>816 100 67</b>	<b>816 100 68</b>
green	<b>816 200 55</b>	<b>816 200 67</b>	<b>816 200 68</b>
yellow	<b>816 300 55</b>	<b>816 300 67</b>	<b>816 300 68</b>
clear	<b>816 400 55</b>	<b>816 400 67</b>	<b>816 400 68</b>

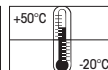
## ✦ ACCESSORIES:

Tube adaptor	<b>975 812 01</b>
Base with integrated tube, Ø 25 mm, 110 mm long, plastic	<b>975 840 10</b>
Base for tube mounting	<b>975 840 90</b>
Base for base mounting	<b>975 812 02</b>
Tube Ø 25 mm, all anodised aluminium	
100 mm long	<b>975 845 10</b>
250 mm long	<b>975 840 25</b>
400 mm long	<b>975 840 40</b>
Anti-twist device	<b>975 815 22</b>
Surface housing IP 65	
for 1 Installation Beacon	<b>975 815 03</b>
for 2 Installation Beacons	<b>975 815 07</b>
for 3 Installation Beacons	<b>975 815 08</b>
for 4 Installation Beacons	<b>975 109 05</b>
Accessories see page 98	

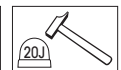
## ↔ TECHNICAL DIAGRAM:



<b>Signalisation index</b>	
LED Permanent Light	3



24 V



# 816 LED Installation Blinking Beacon - PG29 (Ø 37 mm)



Tube adaptor as accessory



Surface housing (accessory)

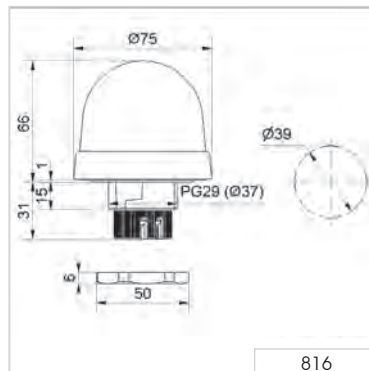
## ① TECHNICAL SPECIFICATIONS/ORDER SPECIFICATIONS:

Dimensions (Ø x Height):	75 mm x 66 mm (Protrusion from panel)
Housing:	PC/ABS-Blend Socket: PA-GF, high impact
Lens:	PC, transparent Shock resistance 20 Joules according to EN 60079-0
Fixing:	Installation mounting for Ø 37 mm (PG29)
Connection:	Screw terminal 0,5 - 1,5 mm <sup>2</sup>
Blink frequency:	C. 1 Hz
Life duration:	Up to 50,000 hrs
Voltage:	24 V AC/DC
Current consumption:	45 mA
red	<b>816 110 55</b>
yellow	<b>816 310 55</b>
Further colours and voltages on request.	

## ✂ ACCESSORIES:

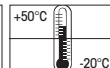
Tube adaptor	<b>975 812 01</b>
Base with integrated tube, Ø 25 mm, 110 mm long, plastic	<b>975 840 10</b>
Base for tube mounting	<b>975 840 90</b>
Base for base mounting	<b>975 812 02</b>
Tube Ø 25 mm, all anodised aluminium	
100 mm long	<b>975 845 10</b>
250 mm long	<b>975 840 25</b>
400 mm long	<b>975 840 40</b>
Anti-twist device	<b>975 815 22</b>
Surface housing IP 65	
for 1 Installation Beacon	<b>975 815 03</b>
for 2 Installation Beacons	<b>975 815 07</b>
for 3 Installation Beacons	<b>975 815 08</b>
for 4 Installation Beacons	<b>975 109 05</b>
Accessories see page 98	

## ↔ TECHNICAL DIAGRAM:



### Signalisation index

LED Blinking Light    3



# 816 LED Permanent Beacon Multicolour - PG29 (Ø 37 mm)



816 Multicolour  
with clear lens



816 Multicolour  
with opaque lens



7 colours in one beacon:  
red, yellow, green, white, blue,  
violet and turquoise

## ① TECHNICAL SPECIFICATIONS/ORDER SPECIFICATIONS:

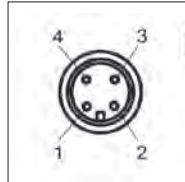
Dimensions (Ø x Height):	75 mm x 66 mm (Protrusion from panel)
Housing:	ABS/PC-Blend, black
Lens:	PC, transparent Shock resistance 20 Joules according to EN 60079-0
Fixing:	Installation mounting for Ø 37 mm (PG29)
Connection:	M12 plug (4 pole)
Colour options:	Red, yellow, green, white, blue, violet, turquoise (multicolour)
Life duration:	Up to 50,000 hrs
Voltage:	24 V DC
Current consumption:	max. 120 mA
clear lens	<b>816 480 55</b>

## ✂ ACCESSORIES:

Cable 5m with M12 plug	<b>960 693 05</b>
Base for base mounting	<b>975 812 02</b>
Tube adaptor	<b>975 812 01</b>
Base with integrated tube, Ø 25 mm, 110 mm long, plastic	<b>975 840 10</b>
Tube Ø 25 mm, all anodised aluminium	
100 mm long	<b>975 845 10</b>
250 mm long	<b>975 840 25</b>
400 mm long	<b>975 840 40</b>
Base for tube mounting, metal	<b>975 840 91</b>
Anti-twist device	<b>975 815 22</b>

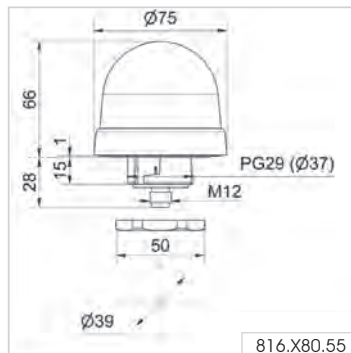
## ! ADDITIONAL INFORMATION:

Easy triggering



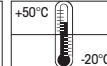
PIN	1	2	3	4	Colour
24 V	-	-	GND	-	rd
-	24 V	-	GND	-	gn
24 V	24 V	-	GND	-	ye
-	-	-	GND	24 V	bu
24 V	24 V	-	GND	24 V	wh
24 V	-	-	GND	24 V	vt
-	24 V	-	GND	24 V	tg

## ↔ TECHNICAL DIAGRAM:

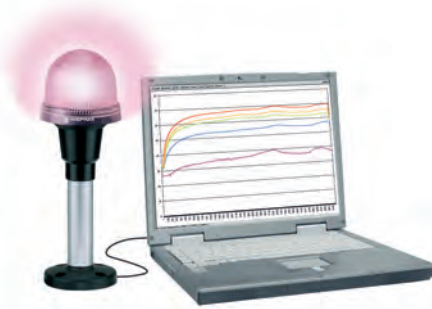


### Signalisation index

LED Permanent Light (multicolour)   3



# 816 LED Beacon (Multicolour) with USB Interface - PG29 (Ø 37 mm)



Simple triggering as no special software is required

## ① TECHNICAL SPECIFICATIONS/ORDER SPECIFICATIONS:

Dimensions (Ø x Height):	75 mm x 66 mm (Protrusion from panel)
Housing:	ABS/PC-Blend, black
Lens:	PC, transparent Shock resistance 20 Joules according to EN 60079-0
Fixing:	Installation mounting for Ø 37 mm (PG29) Base and wall mounting possible (accessories)
Connection:	Mini USB 2.0 downward cable outlet
Power supply:	Via USB
Colour options:	More than 200,000 colours (RGB LED)
Suitable for:	Windows®, System requirements – see Handbook
Assembly:	LED beacon, demo software, driver and USB connection cable included, 1.8 m long
Life duration:	Up to 50,000 hrs
Voltage:	5 V (USB-Connection)
Current consumption:	≤ 500 mA
clear lens	<b>816 480 53</b>
opaque lens	<b>816 780 53</b>

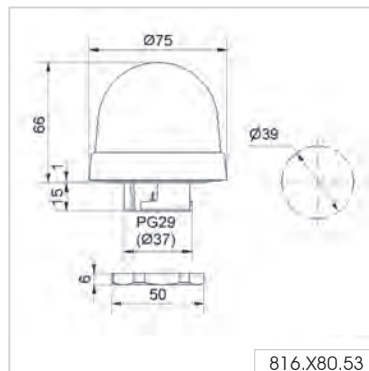
## ✂ ACCESSORIES:

You will find the appropriate accessories for base or tube mounting on page 104 or under [www.werma.com](http://www.werma.com)

## ! ADDITIONAL INFORMATION:

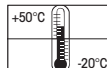
The installation LED Beacon with USB interface is compatible with USB 2.0 and 1.1. A wide range of colours and light effects can be quickly and simply programmed by the customer and altered at any time.

## ↪ TECHNICAL DIAGRAM:



### Signalisation index

LED Permanent Light (multicolour)    3



<b>Архангельск</b> (8182)63-90-72	<b>Ижевск</b> (3412)26-03-58	<b>Магнитогорск</b> (3519)55-03-13	<b>Пермь</b> (342)205-81-47	<b>Сургут</b> (3462)77-98-35
<b>Астана</b> (7172)727-132	<b>Иркутск</b> (395)279-98-46	<b>Москва</b> (495)268-04-70	<b>Ростов-на-Дону</b> (863)308-18-15	<b>Тверь</b> (4822)63-31-35
<b>Астрахань</b> (8512)99-46-04	<b>Казань</b> (843)206-01-48	<b>Мурманск</b> (8152)59-64-93	<b>Рязань</b> (4912)46-61-64	<b>Томск</b> (3822)98-41-53
<b>Барнаул</b> (3852)73-04-60	<b>Калининград</b> (4012)72-03-81	<b>Набережные Челны</b> (8552)20-53-41	<b>Самара</b> (846)206-03-16	<b>Тула</b> (4872)74-02-29
<b>Белгород</b> (4722)40-23-64	<b>Калуга</b> (4842)92-23-67	<b>Нижний Новгород</b> (831)429-08-12	<b>Санкт-Петербург</b> (812)309-46-40	<b>Тюмень</b> (3452)66-21-18
<b>Брянск</b> (4832)59-03-52	<b>Кемерово</b> (3842)65-04-62	<b>Новокузнецк</b> (3843)20-46-81	<b>Саратов</b> (845)249-38-78	<b>Ульяновск</b> (8422)24-23-59
<b>Владивосток</b> (423)249-28-31	<b>Киров</b> (8332)68-02-04	<b>Новосибирск</b> (383)227-86-73	<b>Севастополь</b> (8692)22-31-93	<b>Уфа</b> (347)229-48-12
<b>Волгоград</b> (844)278-03-48	<b>Краснодар</b> (861)203-40-90	<b>Омск</b> (3812)21-46-40	<b>Симферополь</b> (3652)67-13-56	<b>Хабаровск</b> (4212)92-98-04
<b>Вологда</b> (8172)26-41-59	<b>Красноярск</b> (391)204-63-61	<b>Орел</b> (4862)44-53-42	<b>Смоленск</b> (4812)29-41-54	<b>Челябинск</b> (351)202-03-61
<b>Воронеж</b> (473)204-51-73	<b>Курск</b> (4712)77-13-04	<b>Оренбург</b> (3532)37-68-04	<b>Сочи</b> (862)225-72-31	<b>Череповец</b> (8202)49-02-64
<b>Екатеринбург</b> (343)384-55-89	<b>Липецк</b> (4742)52-20-81	<b>Пенза</b> (8412)22-31-16	<b>Ставрополь</b> (8652)20-65-13	<b>Ярославль</b> (4852)69-52-93
<b>Иваново</b> (4932)77-34-06	<b>Россия</b> (495)268-04-70	<b>Киргизия</b> (996)312-96-26-47	<b>Казахстан</b> (772)734-952-31	

**Единый адрес для всех регионов: [wme@nt-rt.ru](mailto:wme@nt-rt.ru) | [www.wema.nt-rt.ru](http://www.wema.nt-rt.ru)**